

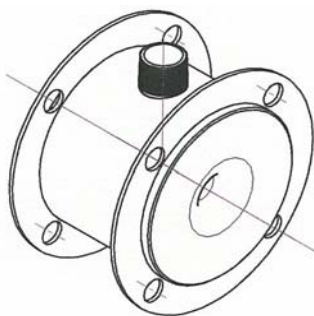
HOFFER

Perfecting Measurement™



Фланцевые турбинные расходомеры серии НО

Технические характеристики



По вопросам продаж и поддержки обращайтесь:

Архангельск +7 (8182) 45-71-35
Астана +7 (7172) 69-68-15
Астрахань +7 (8512) 99-46-80
Барнаул +7 (3852) 37-96-76
Белгород +7 (4722) 20-58-80
Брянск +7 (4832) 32-17-25
Владивосток +7 (4232) 49-26-85
Владимир +7 (4922) 49-51-33
Волгоград +7 (8442) 45-94-42
Воронеж +7 (4732) 12-26-70
Екатеринбург +7 (343) 302-14-75
Иваново +7 (4932) 70-02-95
Ижевск +7 (3412) 20-90-75
Иркутск +7 (3952) 56-24-09
Йошкар-Ола +7 (8362) 38-66-61
Казань +7 (843) 207-19-05

Калининград +7 (4012) 72-21-36
Калуга +7 (4842) 33-35-03
Кемерово +7 (3842) 21-56-70
Киров +7 (8332) 20-58-70
Краснодар +7 (861) 238-86-59
Красноярск +7 (391) 989-82-67
Курск +7 (4712) 23-80-45
Липецк +7 (4742) 20-01-75
Магнитогорск +7 (3519) 51-02-81
Москва +7 (499) 404-24-72
Мурманск +7 (8152) 65-52-70
Наб.Челны +7 (8552) 91-01-32
Ниж.Новгород +7 (831) 200-34-65
Нижневартонск +7 (3466) 48-22-23
Нижнекамск +7 (8555) 24-47-85

Новороссийск +7 (8617) 30-82-64
Новосибирск +7 (383) 235-95-48
Омск +7 (381) 299-16-70
Орел +7 (4862) 22-23-86
Оренбург +7 (3532) 48-64-35
Пенза +7 (8412) 23-52-98
Первоуральск +7 (3439) 26-01-18
Пермь +7 (342) 233-81-65
Ростов-на-Дону +7 (863) 309-14-65
Рязань +7 (4912) 77-61-95
Самара +7 (846) 219-28-25
Санкт-Петербург +7 (812) 660-57-09
Саранск +7 (8342) 22-95-16
Саратов +7 (845) 239-86-35
Смоленск +7 (4812) 51-55-32

Сочи +7 (862) 279-22-65
Ставрополь +7 (8652) 57-76-63
Сургут +7 (3462) 77-96-35
Сызрань +7 (8464) 33-50-64
Сыктывкар +7 (8212) 28-83-02
Тверь +7 (4822) 39-50-56
Томск +7 (3822) 48-95-05
Тула +7 (4872) 44-05-30
Тюмень +7 (3452) 56-94-75
Ульяновск +7 (8422) 42-51-95
Уфа +7 (347) 258-82-65
Хабаровск +7 (421) 292-95-69
Чебоксары +7 (8352) 28-50-89
Челябинск +7 (351) 277-89-65
Череповец +7 (8202) 49-07-18
Ярославль +7 (4852) 67-02-35

сайт: \ cZyf.pro-solution.ru | эл. почта: \ fz@pro-solution.ru
телефон: 8 800 511 88 70

TURBINE FLOWMETERS BY HOFFER

Perfecting Measurement™



HO SERIES WAFER
Turbine Flowmeters
for Liquid Service

Product Bulletin HO-SWL-100H

TECHNICAL DATA SHEET

OUTSTANDING FEATURES

- Cost effective design eliminates flange on meter.
- Outstanding accuracy.
- Short Wafer Series meters are rated to meet the pressure rating of any flange as listed in ASME B 16.5.
- Provides wide flow ranges 10:1 turndown typical.



LIQUID SIZE SELECTOR™ CHART FOR HO WAFER SERIES TURBINE FLOWMETERS

Flowmeter Size	End Fitting Size	MAGNETIC PICKUP COIL				MODULATED PICKUP COIL			
		Linear Range (US GPM)	Linear Range (LPM)	Repeatable Range (US GPM)	Repeatable Range (LPM)	Linear Range (US GPM)	Linear Range (LPM)	Repeatable Range (US GPM)	Repeatable Range (LPM)
5/8	2	1.75-16	6.6-60.6	.9-20	3.4-75.7	1.75-16	6.6-60.6	.2-20	.75-75.7
3/4	3/4	2.5-29	9.5-110	1.5-35	5.7-132.5	2.5-29	9.5-110	.35-35	.24-17
1	1	4-60	15-227	2-75	7.6-284	4-60	15-227	.75-75	.28-34
1-1/4	1-1/4	6-93	23-352	3-115	11.4-435	6-93	23-352	1.15-115	.45-45
1-1/2	1-1/2	8-130	30.3-492	5-175	19-662	8-130	30.3-492	1.75-175	.75-75.7
2	2	15-225	56.8-852	11-275	42-1041	15-225	56.8-852	2.75-275	1.3-132.5
2-1/2	2-1/2	25-400	95-1514	15-500	56.8-1893	25-400	95-1514	5-500	2.8-284
3	3	40-650	151-2460	20-800	76-3028	40-650	151-2460	8-800	
4	4	75-1250	284-4731	50-1500	189-5678	MCP not recommended in 4" and larger sizes			
5	5	140-2000	530-7570	100-2500	379-9463				
6	6	200-2900	757-10977	125-3600	473-13626				
8	8	330-5200	1249-19682	270-6400	1022-24224				

NOTE: Performance enhancement techniques are routinely applied to produce larger linear and usable flow ranges. Consult with the applications group at Hoffer with your requirements.

SPECIFICATIONS

Overrange: 150% of maximum flow (intermittently).

Linearity: ±0.5% of reading (±0.25% typical) over tabulated linear flow range.

Repeatability: ±0.1% (±0.05% typical) over tabulated repeatable range.

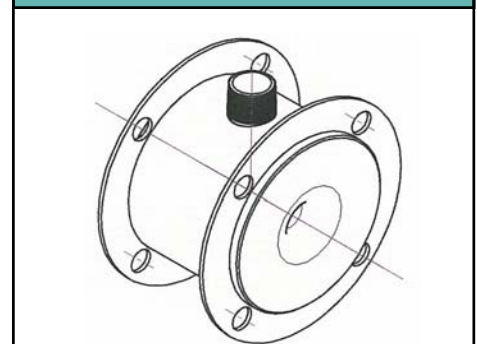
Available Turn Down Range: 10:1 Typical.

Available Temperature Range: -450°F to +450°F Standard. High temperature option to +850°F. Refer to various flowmeter configurations for pressure ratings, outline dimensions and available sizes.

Pressure Drop Characteristics: 4 to 5 PSI at maximum linear flow rate at one CSTK.

Materials: 316/316L dual stainless steel standard. Consult with applications group for corrosive applications. Broad material list available.

Wafer Meter shown with Guide Rings to Mate to Customer's Existing Flange



Hex Nuts per ASTM A 194 Grade 2H with flat washers and guide plates are supplied with the stud bolts.

По вопросам продаж и поддержки обращайтесь:

Архангельск +7 (8182) 45-71-35	Калининград +7 (4012) 72-21-36	Новороссийск +7 (8617) 30-82-64	Сочи +7 (862) 279-22-65
Астана +7 (7172) 69-68-15	Калуга +7 (4842) 33-35-03	Новосибирск +7 (383) 235-95-48	Ставрополь +7 (8652) 57-76-63
Астрахань +7 (8512) 99-46-80	Кемерово +7 (3842) 21-56-70	Омск +7 (381) 299-16-70	Сургут +7 (3462) 77-96-35
Барнаул +7 (3852) 37-96-76	Киров +7 (8332) 20-58-70	Орел +7 (4862) 22-23-86	Сызрань +7 (8464) 33-50-64
Белгород +7 (4722) 20-58-80	Краснодар +7 (861) 238-86-59	Оренбург +7 (3532) 48-64-35	Сыктывкар +7 (8212) 28-83-02
Брянск +7 (4832) 32-17-25	Красноярск +7 (391) 989-82-67	Пенза +7 (8412) 23-52-98	Тверь +7 (4822) 39-50-56
Владивосток +7 (4232) 49-26-85	Курск +7 (4712) 23-80-45	Первоуральск +7 (3439) 26-01-18	Томск +7 (3822) 48-95-05
Владимир +7 (4922) 49-51-33	Липецк +7 (4742) 20-01-75	Пермь +7 (342) 233-81-65	Тула +7 (4872) 44-05-30
Волгоград +7 (8442) 45-94-42	Магнитогорск +7 (3519) 51-02-81	Ростов-на-Дону +7 (863) 309-14-65	Тюмень +7 (3452) 56-94-75
Воронеж +7 (4732) 12-26-70	Москва +7 (499) 404-24-72	Рязань +7 (4912) 77-61-95	Ульяновск +7 (8422) 42-51-95
Екатеринбург +7 (343) 302-14-75	Мурманск +7 (8152) 65-52-70	Самара +7 (846) 219-28-25	Уфа +7 (347) 258-82-65
Иваново +7 (4932) 70-02-95	Наб.Челны +7 (8552) 91-01-32	Санкт-Петербург +7 (812) 660-57-09	Хабаровск +7 (421) 292-95-69
Ижевск +7 (3412) 20-90-75	Ниж.Новгород +7 (831) 200-34-65	Саранск +7 (8342) 22-95-16	Чебоксары +7 (8352) 28-50-89
Иркутск +7 (3952) 56-24-09	Нижеварттовск +7 (3466) 48-22-23	Саратов +7 (845) 239-86-35	Челябинск +7 (351) 277-89-65
Йошкар-Ола +7 (8362) 38-66-61	Нижнекамск +7 (8555) 24-47-85	Смоленск +7 (4812) 51-55-32	Череповец +7 (8202) 49-07-18
Казань +7 (843) 207-19-05			Ярославль +7 (4852) 67-02-35

сайт: \ cZzf.pro-solution.ru | эл. почта: \ fz@pro-solution.ru |
телефон: 8 800 511 88 70



The specifications contained herein are subject to change without notice and any user of said specifications should verify from the manufacturer that the specifications are currently in effect. Otherwise, the manufacturer assumes no responsibility for the use of specifications which may have been changed and are no longer in effect.

The quality system covering the design, manufacture and testing of our products is certified to International Standard ISO 9001.

